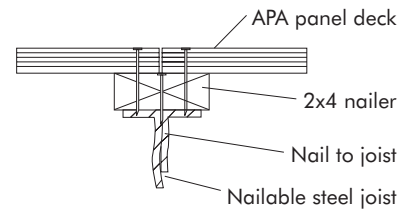
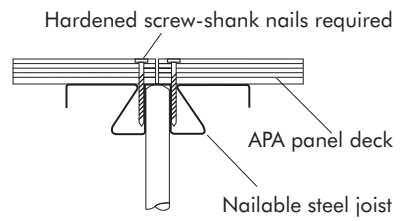
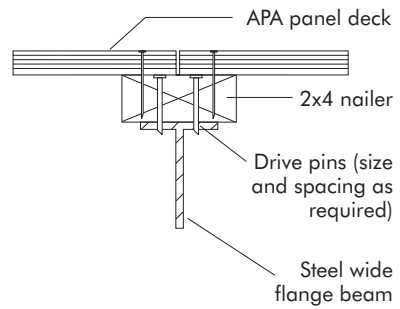


TYPICAL PANEL-TO-METAL FRAMING SYSTEMS

Panels Nailed to Nailable Steel Joists



Nailer Anchored with Power Driven Fasteners



Panels Attached Directly to Formed Steel Joist

